



TRANSLATION OF THE ORIGINAL INSTRUCTIONS

- Keep handy at the place of use -

Wind turbine system
i-300, i-500, L-500, Air Speed

SAVE
ENERGY
SAVE
PLANET

A stylized green leaf graphic is positioned to the right of the word "PLANET", partially overlapping it.

1 - Contents -

1	Contents	2
2	General.....	4
2.1	About this translation of the original instructions	4
2.1.1	Revision status of the original instructions	4
2.1.2	Conditions for installing and operating the wind turbine system	4
2.1.3	Availability of the instructions.....	4
2.2	Conventions used in this translation of the original instructions.....	4
2.2.1	Other symbols used	5
2.2.2	Information	5
2.3	Name and address of the manufacturer and his authorised representative	5
2.4	Warranty and liability	6
2.5	Product feedback	6
3	Technical Description.....	6
3.1	Intended use	6
3.2	Reasonably foreseeable misuse.....	6
3.3	Main components.....	7
3.4	Main components of the wind turbine	8
4	Technical Data.....	9
5	Charge Controller I/HCC800 - I/HCC650.....	10
5.1	Permissible operating and storage conditions.....	12
5.1.1	Storage	12
5.1.2	Operation	12
6	Safety Information	12
6.1	Modifications or changes by the user	12
6.2	Residual risks.....	12
6.3	Personnel requirements.....	12
7	Preparing to use the System.....	13
7.1	Shipping	13
7.1.1	As-delivered condition	13
7.1.2	Scope of supply	13

7.2	Requirements at the place of use	13
7.2.1	Permissible wind class, footprint and minimum clearances	13
7.2.2	Tower foundation	14
7.3	Unpacking the components	15
7.4	Assembling the wind turbine.....	15
7.5	Electrical connections	16
7.6	Erecting the wind turbine	17
8	Normal Operation	18
8.1	Switching on the wind turbine system.....	18
8.2	Restart after an emergency	18
9	Shutting down the Wind Turbine System	18
9.1	Emergency shut-down	18
9.2	Temporary shut-down.....	18
9.3	Prolonged shut-down.....	18
10	Maintenance	19
10.1	Safety precautions during maintenance work.....	19
10.2	Inspection and maintenance schedule	19
10.3	Maintenance and cleaning by the user	19
11	Troubleshooting and Diagnostics	20
11.1	Errors with LED.....	20
11.2	Errors without LED.....	20
12	Removal from Service and Disposal	22
12.1	Final decommissioning of the wind turbine system	22
12.2	Disposal of the wind turbine system and components	22
13	Declaration of Conformity	23
14	Index.....	24
15	Notes	25
16	Performance Charts.....	26
17	Certificates.....	27
18	Suitable Battery Capacities	28

2 - General -

2.1 About this translation of the original instructions

2.1.1 Revision status of the original instructions

Revision date: 31.03.2023

Revision index: 00

2.1.2 Conditions for installing and operating the wind turbine system

Please make sure that

- The wind turbine system has been erected correctly by a suitably trained person.
- All operating personnel have read and fully understood this translation of the original instructions
- The wind turbine system is properly maintained and repaired.

2.1.3 Availability of the instructions

Keep this translation of the original instructions handy at all times, so that it can be referred to by all persons working on or with the wind turbine system.

2.2 Conventions used in this translation of the original instructions

Safety information is always identified by a signal word and in some cases also by a hazard-specific symbol.

⚠ DANGER!
Immediate danger! Non-observance of the safety instructions will result in serious or fatal injury!
⚠ WARNING!
Potentially dangerous situation! Non-observance of the safety instructions can result in serious or fatal injury!
⚠ CAUTION!
Potentially dangerous situation! Non-observance of the safety instructions can result in minor or moderate injuries!
IMPORTANT!
Potentially dangerous situation! Non-observance of the safety instructions can result in damage to property or pollution of the environment!

2.2.1 Other symbols used

The following symbols are used in this translation of the original instructions as well as on the wind turbine system itself:

Warning signs





	General warning!
	Danger: High voltage!
	May start without warning!
	Environmental hazard!

Table 1 Warning signs

Mandatory signs




	Read manual before operating!
	Isolate before opening!

Table 2 Mandatory signs

2.2.2 Information

	Note Indicates general information and recommendations.
---	--

2.3 Name and address of the manufacturer and his authorised representative

Name	ALTINEL ENERJI DIS TIC. ELEK. ELEKTRONIK SAN.VE TIC. LTD. STI
Address	Gökevler Mah, 2331 Sk. No: 2/d - Esenyurt / Istanbul / TURKEY
Phone	0090-212-8812235
Internet	www.altinelenerji.com

Table 3 Manufacturer

Name	FastTrading Ltd
Address	Ul.Stancionna No. 64 Et.2 · BG-8500 Aytos / BULGARIA
Phone	+359 87 7819900
Internet	www.istabreeze.com

Table 4 Authorised representative

2.4 Warranty and liability

The “General Terms of Sale and Delivery” of the manufacturer or his authorised representative apply.

2.5 Product feedback

Please notify the manufacturer or his authorised representative about any of the following

- Accidents
- Potential safety hazards associated with the wind turbine system
- Ambiguities in this translation of the original instructions
- Description of the wind turbine system

3 - Technical Description -

3.1 Intended use

- The wind turbine system may only be used as a “small wind turbine system” (SWTS) to generate power in accordance with EN 61400-2.
- The wind turbine system may only be operated in accordance with the ratings and in the approved wind class (refer to the technical data).
- Observance of the original instructions and compliance with the maintenance and repair instructions are essential preconditions of use for the intended purpose.

3.2 Reasonably foreseeable misuse

All forms of use which deviate from or exceed the limits of use described above are considered to be contrary to the intended purpose. The manufacturer is not liable for any damage resulting from such use.

No liability will be accepted by the manufacturer if the equipment has been altered as well as in the event of improper assembly, installation, start-up, operation, maintenance or repair.

Only original parts supplied by the manufacturer are approved as spare parts or accessories. Any spare parts or accessories not supplied by the manufacturer have not been tested for operation and could be detrimental to reliability. No liability will be accepted by the manufacturer for any damages which result from the use of non-approved spare parts or accessories.

Reasonably foreseeable misuse includes:

- Operation outside the manufacturer’s specification
- All modifications or changes to the wind turbine system without the manufacturer’s written approval!
- Use of parts other than iSTA Breeze original parts.
- Operation in non-approved SWTS classes.
- Operation in strong winds or hurricanes.

3.3 Main components

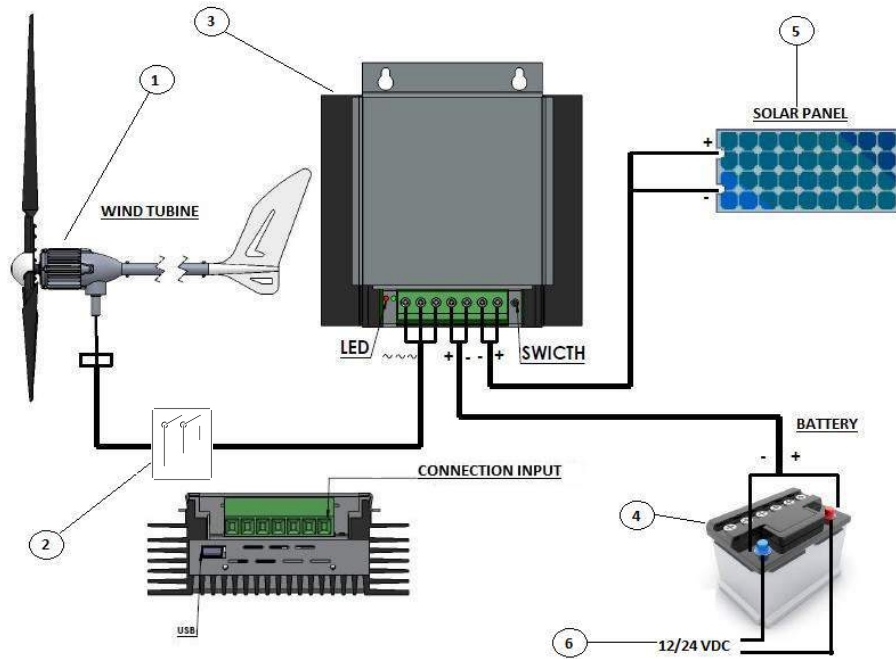


Fig. 1: Main components of the wind turbine system

No.	Component	Function
1	Wind turbine	Converts wind energy into electrical energy
2	Switch switch AC Emergency Stop Button (optional)	Emergency shut-down. When pressed, the wind turbine must be short-circuited.
3	Charge controller (optional) Type : i/HCC 800	Generates electrical voltage (12 / 24 / 48 VDC). The iSTA Breeze charge controller has 40 A fuse protection
4	Battery (optional)	Stores electrical energy (Acid, Gel)
5	Solar panels (optional)	Convert solar energy into electrical energy
6	To converter (optional)	Converts 12 / 24 VDC into 110 / 220 VAC

Table 5 Main components and their functions

	<p>Recommendation: Several batteries can be connected in series or series. Depending on which system voltage is used.</p>
--	--

3.4 Main components of the wind turbine

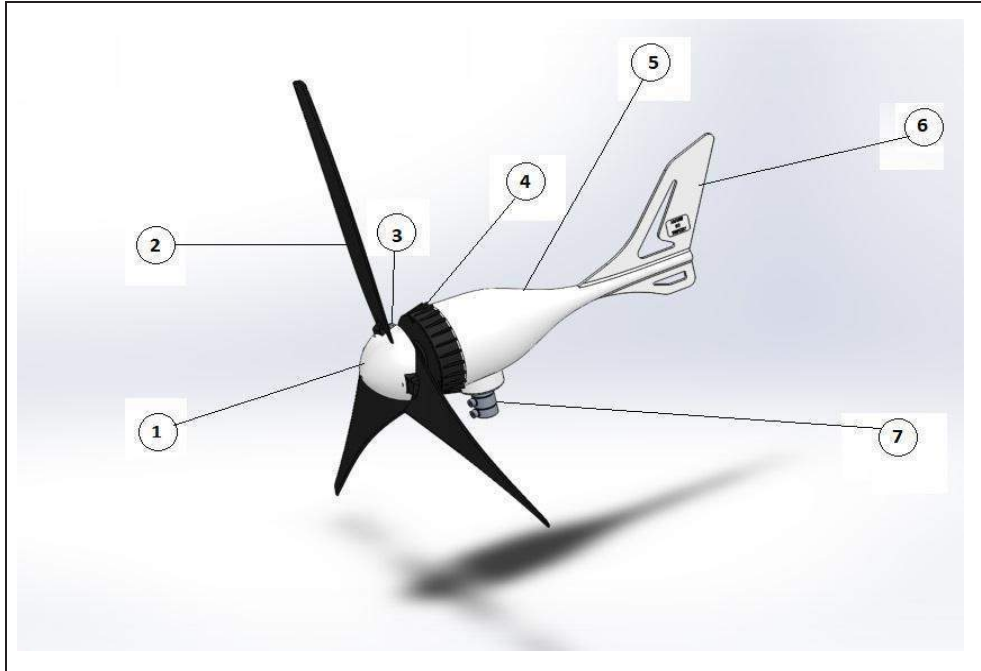



Fig. 2: Main components of the wind turbine

No.	Component	Quantity
1	Nose Cover	1
2	Rotor blade	3
3	Hub for holding the blades	1
4	Generator for producing electricity	1
5	Body (trage Element)	1
6	Tail vane for turning the blades into the wind	1
7	Adapter stud Ø 37 mm for attaching the wind turbine to the tower	1

Table 6 Main components of the wind turbine and their functions

	<p>Note: For proper operation of the Ista Breeze®, please use only the supplied original parts. Failure to observe this will invalidate the conformity and performance of the Ista Breeze®.</p>
---	---

4

- Technical Data -

Designation	i-300	i-500	L-500	Air Speed
Generator				
Type	Permanent magnet rotor, brushless, direct drive, maintenance-free			
Weight [kg]	5.9	6	6.6	7
Max. power	12V 22A 24V 11A	12V 35A 24V 18A	24V 35A 48V 18A	24V 40A 48V 20A
Open circuit voltage [VAC]	[12V] 0 – 330			
Open circuit voltage [VAC]	[24V] 0 – 330			
Current	3-phase			
Start of charging	Approx. 3 m/s (wind speed)			
Housing material	Plastic	Plastic Aluminium	Plastic	Aluminium
Direction of rotation	Front right			
Test standard	EN 61000-6-1 (electromagnetic compatibility – immunity)			
	EN 61000-6-3 (electromagnetic compatibility – emissions)			
Rotor blades				
Hub flange	Plastic	Aluminium		
Diameter, approx. [m]	1.25	1.03	1.22	1.15
Length per repeller (cm)	60	50	60	55
Weight per rotor blade, [g]	260	180 Carbon granules	260	180 Carbon granules
Direction of rotation	Clockwise, looking from front end			
Max. speed [rpm]	1900			
Noise emissions [dB(A)]	40	40	40	40

Table 7 Technical data

5 - Charge Controller i/HCC 800 -

The Wind / Solar Hybrid Charge Controller from IstaBreeze® is an intelligent controller of the wind turbine and solar cells that controls you at the same time. The high-end device thus controls your island system. It is used to safely and efficiently charge and control your battery with the Wind Generator / Solar Module combination.

With its discreet appearance, simple operation, with integrated protection functions, this device has high efficiency and low no-load losses. This version of the controller will significantly increase the life and stability of the whole system, especially the batteries.

The special features and product information are listed below:

Use of solid state components. Increasing the life of the controller. Microprocessor controlled charge with integrated voltage and current limiting. Electromagnetic brake control, generator is automatically braked gently with full battery,

modern braking system in three steps to avoid immediate blockage of the turbine. Increasing the lifetime of the stator. Protection against overcharging, overdischarge, short circuit, overload and against incorrect reverse polarity. USB port with the possibility of an external display.

Minimum Battery Voltage	(12V=8,5V) - (24V=17,5V)
Battery System Voltage	12 - 24 Vdc Automatically Recognize
Integrated Manual Stop Switch	Maintenance
Cable	6qmm screw terminals
Final charge voltages for the battery types	Acid, Gel
Charging voltage Max.Wind	(12V = 14,6V) - (24V=29,2V)
LCD display of all relevant operating data (Opsiyonel)	Amper, Watt, RPM, Battery Voltage, Volt, Temperature
Sizes	150*170*70 mm
Maximum output power PV module	300 W
Maximum Output Wind Turbine 3 phase AC	750 W
Temperature Compensation	-4mV°C/2V, -35 °C-- +80°C, Accuracy +- 1°C
Thermally Conductive Housing	Anodized aluminum with cooling fins
Brake Function	At 12V = 14,6 At 24V = 29,2
Operating Temperature	Normal:20~+55°C/35~85%RH Industrial: 30~+55°C/35~85%RH
Weight	1,5 Kg

LEDS Display

LED Yellow at	System running
LED Yellow out	System without electricity
LED Yellow flash	System on (The charge controller is in charge mode)
LED Red at	Fully charged battery
LED Red out	Battery not fully charged
LED Red flashes	1 flash , battery disconnected or incorrect voltage. 2 flash , too high input voltage 3 flash , excessive rotation of the turbine 4 flash high Temperature Flashes constantly Wind turbine braked



Charge Controller i/HCC 650

Warning:

The charge controller is intended only for charging a battery.

Never connect the charge controller to an inverter, as this can cause a fire hazard and is dangerous.

Description:

This charge controller converts AC to DC. It is a cost effective solution for renewable energy systems.

You can use this charger for all 3-phase wind generators or hydropower plants as well as standard solar systems. Once the battery is fully charged, the charge controller automatically brakes.

Characteristics :

The design ensures efficient ventilation and efficient operation suitable for AC and wind generators.

This charge controller is suitable for 500W wind generators and at the same time for 150W solar systems.

Charge control and diversion control:

The charge controller has a brake protection with full battery and has

Short circuit protection.

It is reliable and has a long life.

Light ions:

Orange Light Emitting Diode: When this is on, it says that the charge controller is charging (the charge controller is in charge mode).

Red Led: If the red light is on, it means that the charge controller is braking the wind generator. e.g. when the battery is full or when the wind speed is too high

Step 1:

Connect the charge controller as it is shown on the battery.

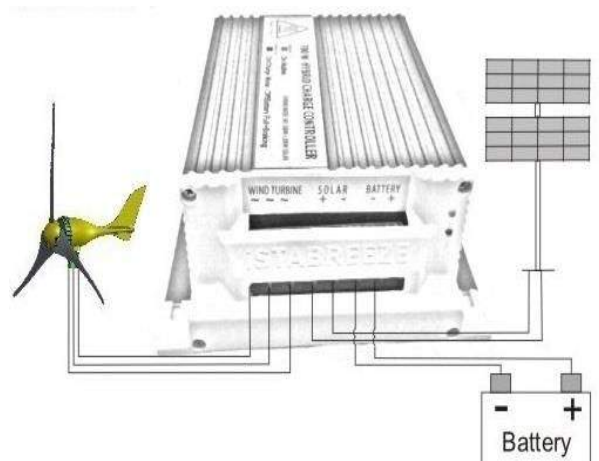
Use a cable connection of least 4 mm² to connect the charge controller and the battery.

Please be sure to connect the same poles, ie negative to negative and positive to positive.

Step 1:

Connect the 3 cables from the wind generator and in the picture above. The order is unimportant.

MODEL	12V/650W	24V/650W
Nominal Output Power	500W	500W
Input Voltage Range	14,2 ~ 17	24,6 ~ 28
Battery	12V	24V
Max. Input wind power	500W	500W
Max. Input solar Pv.	150W	150W
Ownconsumption	≤0.2 A	≤0.2 A
Recommended battery	12V / 150 Ah	24V / 150 Ah
Wind turbine Max. Input current	40 Ah	20 Ah
Weight	550 gr	550 gr
Size	200 x 115 x 60	200 x 115 x 60



5.1 Permissible operating and storage conditions

5.1.1 Storage

- Ambient temperature: -15 to +40°C
- Storage location: Dry, frost-free

5.1.2 Operation

- Ambient temperature: -25 to +40°C
- Place of use: Max. SWTS Class III acc. to EN 61400-2

6 - Safety Information -

6.1 Modifications or changes by the user

The wind turbine system is in conformity with the European Machinery Directive 2006/42/EC provided only original iSTA Breeze components are used and subject to proper erection. The use of components from other manufacturers as well as modifications or changes to the wind turbine system by the user are prohibited and could render the declaration of conformity invalid!

6.2 Residual risks

Any residual risks which arise as a result of operation or maintenance are described in the relevant sections of these instructions.

6.3 Personnel requirements

All work on the wind turbine system must be carried out by authorised persons! Such persons must be familiar with the safety devices and regulations prior to carrying out the work.

Authorised persons are defined as follows:

Operating mode	Necessary qualifications
Erection	Suitably trained persons
Normal operation	Trained personnel
Cleaning	Trained personnel
Maintenance	Suitably trained persons
Repair	Manufacturer

Table 8 Personnel requirements

7 - Preparing to use the System -

7.1 Shipping

7.1.1 As-delivered condition

The wind turbine system is shipped disassembled.

7.1.2 Scope of supply

Refer to the contract documentation for the scope of supply.

7.2 Requirements at the place of use

7.2.1 Permissible wind class, footprint and minimum clearances

⚠ WARNING!
Danger to life due to operation in non-approved wind classes!
▶ The wind turbine system may only be operated at Class III wind sites.

For information on local wind classes, please contact the responsible authorities or your nearest meteorological office.

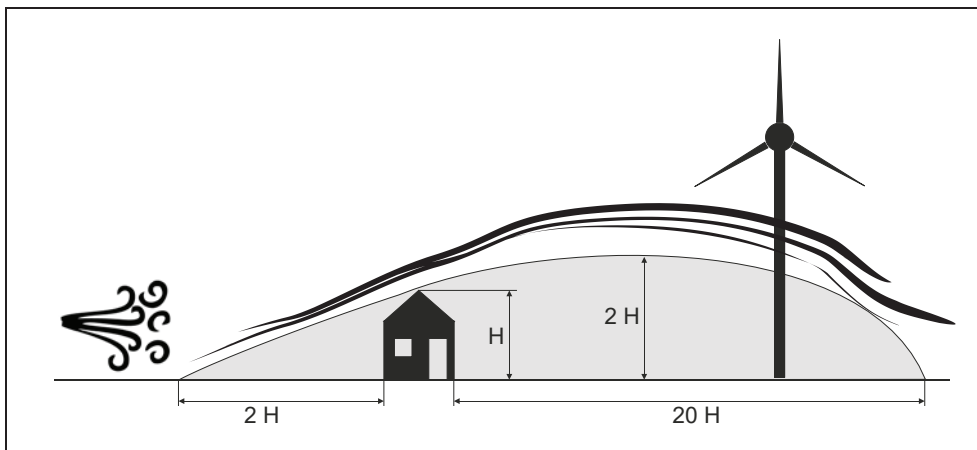


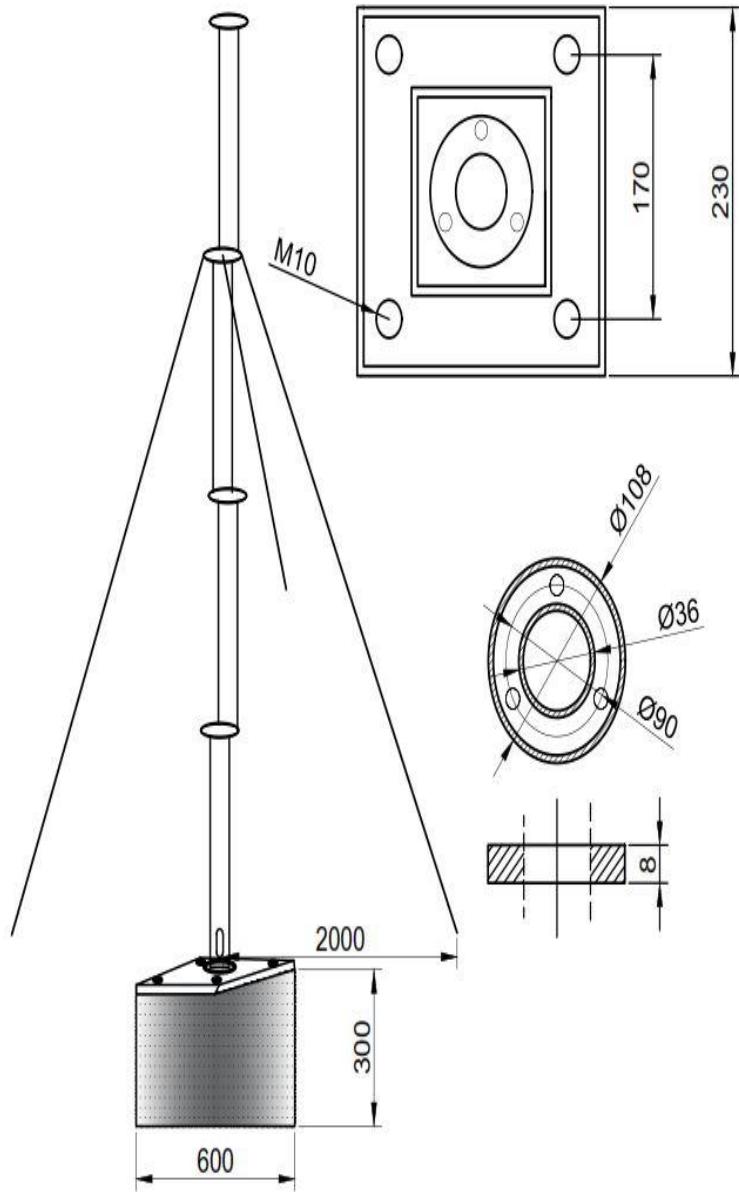
Fig. 3: Footprint and minimum clearances

The place of use must be free of obstacles; alternatively, the wind turbine must be erected with a sufficient height (refer to Fig. 3:). Obstacles are defined as houses, hedges, trees, hills, etc.

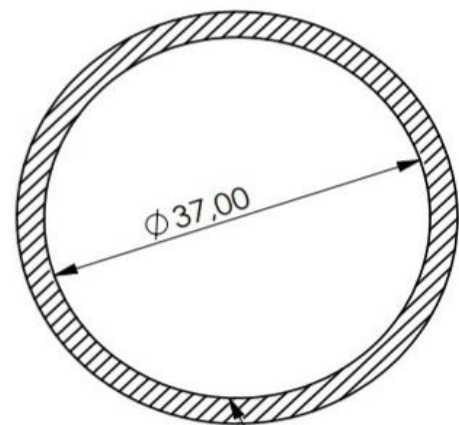
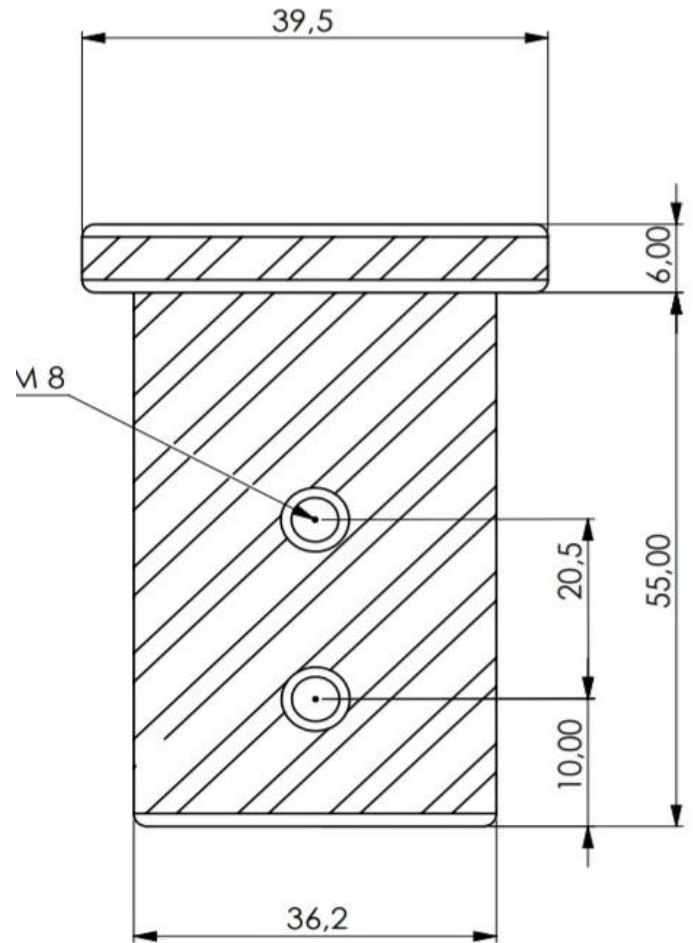
	When choosing the place of use, make sure adequate room is available to tilt the tower and blades if necessary.
--	---

7.2.2 Tower foundation

15kg Mast Set



i500 and L500



Diameter that enter shaft

7.3 Unpacking the components

- ▶ Carefully open the packaging.
- ▶ Check the shipment for completeness (refer to the shipping documents).
- ▶ Separate the packaging material and dispose of it in an environmentally responsible way.

7.4 Assembling the wind turbine

⚠ WARNING!
<p>Danger due to rotor imbalance!</p> <ul style="list-style-type: none"> ▶ Always replace the complete set of rotor blades. <p>Risk of injury in case of assembly at windy sites!</p> <ul style="list-style-type: none"> ▶ Choose an assembly site which is sheltered from the wind. ▶ The assembly process requires calm weather conditions.

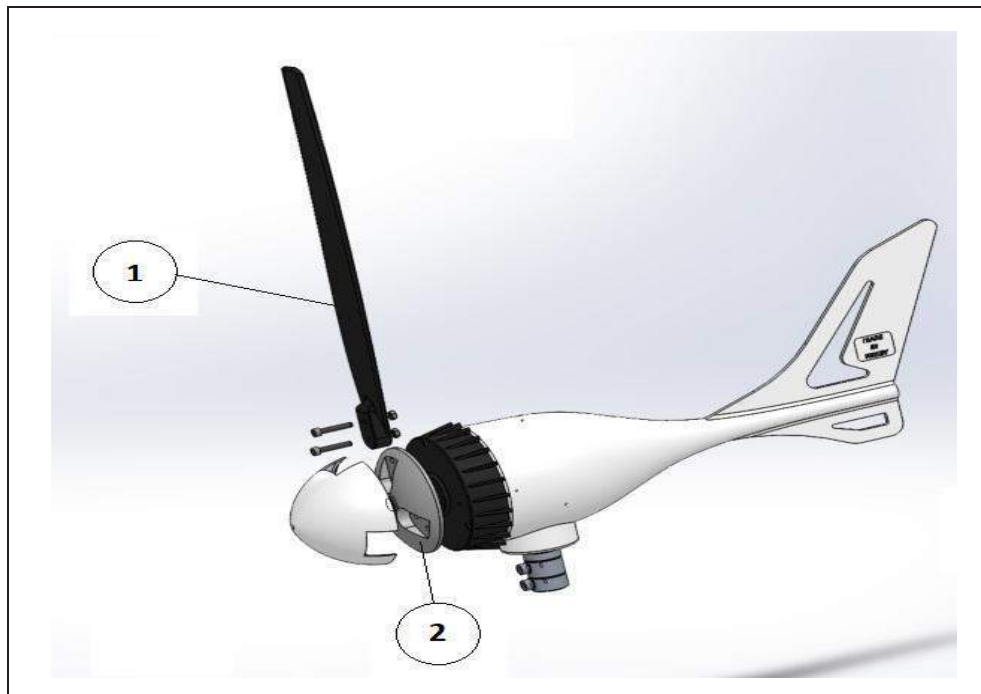


Fig. 6: Assembling the wind turbine

- ▶ Repellerblatt (1) mit flacher Seite an Hub (2) halten.
- ▶ Hold repeller blade (1) with flat side on hub (2).
- ▶ With a M6x25 screw, nut and fasten one.
- ▶ Screw on further M6x25 screws and hand-tighten.



Fig. 7: Balancing the rotor (Y position)

- ▶ Move rotor to Y position (see Fig. 7)
- ▶ Carefully release rotor blade.
- ▶ Observe in which direction the rotor turns (the heavier rotor blade pushes downwards).
- ▶ Repeat the process for all three positions to determine which rotor blade is in imbalance.
- ▶ Check repeller for balance
- ▶ Tighten all screws to 25 Nm.
- ▶ Check balance again.
- ▶ Secure all screws with locking varnish.

	<p>Note: The repellers have already been tested for equal weight by the manufacturer.</p>
--	---

7.5 Electrical connections

⚠ DANGER!	
	<p>Danger: High voltage!</p> <ul style="list-style-type: none"> ▶ All work on electrical equipment must be carried out by a qualified electrician with the power switched off!

	<p>Note: To ensure proper operation, you must use an original iSTA Breeze charge controller.</p>
--	--

- ▶ Connect a three-wire cable with a suitable cross-section (refer to Table 9 / Table 10) and the required length to the generator.
- ▶ Make the electrical connections as shown in Fig. 1:.
- ▶ Connect the charge controller and the transformer as shown in the connection diagram (refer to the relevant documentation).

Distance between generator and charge controller [m]	< 11	11 – 18	18 – 29	20 – 44	44 – 68	68 – 110
Cable cross-section [mm ²]	2.5	4	6	10	16	25

Table 9 Cable cross-section with 12 V generator voltage

Distance between generator and charge controller [m]	< 11	11 – 18	18 – 29	20 – 44	44 – 70	68 – 113
Cable cross-section [mm ²]	2.5	4	6	10	16	25

Table 10 Cable cross-section with 24 V generator voltage

- ▶ Feed the three-wire cable through the tower right up to the top.
- ▶ Provide suitable strain relief.
- ▶ Connect the wires to the generator.

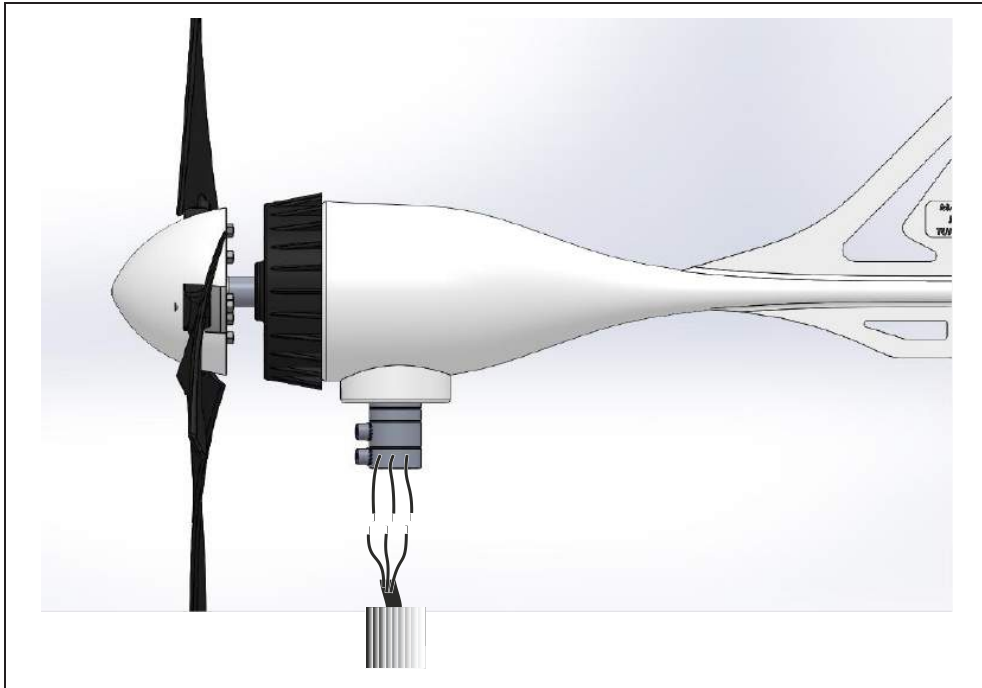


Fig. 8: Connecting the three-wire cable to the generator

- ▶ Pull a suitable shrink tube over each wire of the cable.
- ▶ Twist and solder each wire of the cable to the wire from the generator
- ▶ Pull heat shrink tubing over the solder joint and shrink.
- ▶ Wrap each wire with textile insulating tape.

7.6 Erecting the wind turbine

⚠ WARNING!

Danger due to unsuitable tower constructions!

- ▶ Only use tested mast constructions or original iSTA Breeze masts.

- ▶ Attach the wind turbine to the tower. Be careful not to damage the cable.
- ▶ Bolt the wind turbine to the tower.
- ▶ Stand the tower upright.
- ▶ Align the tower vertically in all directions.
- ▶ Secure the vertical tower with guy wires (refer to Fig. 5:)
- ▶ Remove the short-circuit.

8 - Normal Operation -



For information on operating the iSTA Breeze charge controller, refer to the separate instructions.

8.1 Switching on the wind turbine system

- ▶ Unlock the emergency stop button or release the brake button on the iSTA Breeze charge controller.
- ✓ The brake is released.
- ✓ The fast-blinking red LED on the iSTA Breeze charge controller goes out.
- ✓ The wind turbine system supplies power.

8.2 Restart after an emergency

- ▶ Make sure the risk has been removed.
- ▶ Switch on the wind turbine system (→ section 7.1)

9 - Shutting down the Wind Turbine System -

9.1 Emergency shut-down

- ▶ Press the emergency stop button between the wind turbine and the charge controller.
- ✓ The wind turbine is short-circuited via the iSTA Breeze charge controller.
- ✓ The wind turbine is braked.

9.2 Temporary shut-down

- ▶ Press the “Charge controller OFF” button on the iSTA Breeze charge controller.
- ✓ Operation is interrupted.

9.3 Prolonged shut-down

- ▶ Press the “Charge controller brake OFF” button on the iSTA Breeze charge controller.
- ✓ The wind turbine is short-circuited via the iSTA Breeze charge controller.
- ✓ The wind turbine is braked.
 - ▶ Carefully tilt the wind turbine.
 - ▶ Clean the wind turbine (→ section 9.3)

10 - Maintenance -

10.1 Safety precautions during maintenance work

⚠ WARNING!
<p>Risk of injury when carrying out maintenance work!</p> <ul style="list-style-type: none"> ▶ Shut down the wind turbine system prior to all maintenance work. ▶ Take steps to prevent the wind turbine system from being switched on again by unauthorised persons.

- ▶ Shut down the wind turbine system (→ section 8.2).
- ▶ Carefully tilt the tower.

10.2 Inspection and maintenance schedule

Interval	Part / component	Activity
Daily	Wind turbine	▶ Check for abnormal noises
	Rotor blades	▶ Check that the blades turn freely
	Tower	▶ Inspect for damage
Yearly ² / at end of winter or after extreme weather events	Rotor blades	<ul style="list-style-type: none"> ▶ Inspect for cracks / damage and if necessary replace ▶ Treat with underbody protection wax ▶ Are the rotor blades balanced?
	Tower	<ul style="list-style-type: none"> ▶ Check for vibration ▶ Check the guy wires ▶ Is the tower still aligned vertically? ▶ Inspect for damage
	Wind turbine	▶ Check the bolts
	Electrical wiring	▶ Inspect the cables for damage


Table 11 Inspection and maintenance schedule

⚠ WARNING!
<p>Danger due to damaged parts!</p> <ul style="list-style-type: none"> ▶ Shut down the wind turbine system immediately if the rotor blades or the electrical wiring are damaged.

Refer to the supplementary documents for information on maintaining supplier components.

10.3 Maintenance and cleaning by the user


- ▶ Coat the wind turbine and the rotor blades regularly with commercially available underbody protection wax using a soft cloth.

	A wax film protects the surfaces of the wind turbine and the rotor blades from the weather and increases the efficiency of the blades.
---	--

² Or every 6 months if situated close to sea

11 - Troubleshooting and Diagnostics -


11.1 Errors with LED

	Error messages are displayed on the iSTA Breeze charge controller. Refer to the separate instructions.
---	--

11.2 Errors without LED

Error	Possible cause	Possible actions
Wind turbine does not start up	Not enough wind	▶ None
	“Stop” switch pressed	▶ Release the “Stop” switch
Rotor turns too slowly	Rotor blades incorrectly attached	▶ Attach the rotor blades correctly
	Rotor blades not balanced	▶ Balance the rotor blades
	Bearing for wind alignment is stiff	▶ Replace the bearing
	Generator makes contact as it turns	▶ Send the generator in to the manufacturer
	Unfavourable location or tower too low	▶ Check and move to another location if necessary ▶ Increase the height of the tower
Wind turbine vibrates on tower	Rotor not balanced	▶ Balance the rotor
	Tower not aligned vertically	▶ Align the tower vertically
	Tower bends in the wind	▶ Design a more robust tower
	Tower foundation has too much clearance	▶ Reduce the clearance to a minimum
Wind turbine system produces too little power	Wind turbine or charge controller defective	▶ Contact the manufacturer or a specialist dealer
	Battery defective	▶ Replace the battery
	Battery too small	▶ Use a larger battery (at least 100 Ah)
	Battery fuse tripped	▶ Replace the fuse ▶ Check the electrical connections
	Cable cross-section does not match installed cable length	▶ Match the cable cross-section correctly

Table 12 Errors without an LED

	Recommendation: Make a note of the relevant parameters at the site and have them handy when you contact the manufacturer / specialist dealer.
---	--

1. What is the average / typical wind speed?
2. How high is the tower?
3. What are the characteristics of the countryside / built-up area in the vicinity of the wind turbine?
4. What is the voltage between phases (measured by a qualified electrician – this voltage should be roughly identical in identical wind conditions)?
5. What is the battery voltage? How old is the battery or batteries?
6. Which loads are connected to the battery?
7. Are solar panels also connected to the charge controller? If so:
 - a. What is the no-load voltage³ [VDC]?
 - b. What is the power [Wp]?

12 - Removal from Service and Disposal -

12.1 Final decommissioning of the wind turbine system

⚠ WARNING!
<p>Risk of injury due to unqualified dismantling, e.g.</p> <ul style="list-style-type: none"> • Persons without suitable training • Stored energy • Breakage during dismantling <p>Important note on dismantling and disposal:</p> <ul style="list-style-type: none"> ▶ The system must be dismantled in the proper way by a suitably qualified person.

- ▶ Shut down the wind turbine system (→ section 8).
- ▶ Have the electrical systems and equipment removed from service by a qualified electrician.
- ▶ Make sure all rotors are braked.
- ▶ Carefully tilt the tower.
- ▶ On the ground: Detach the rotor blades from the generator.
- ▶ Detach the generator from the tower and disconnect the electrical wiring.

12.2 Disposal of the wind turbine system and components

Where necessary, dispose of the individual components in consultation with the responsible local authorities.

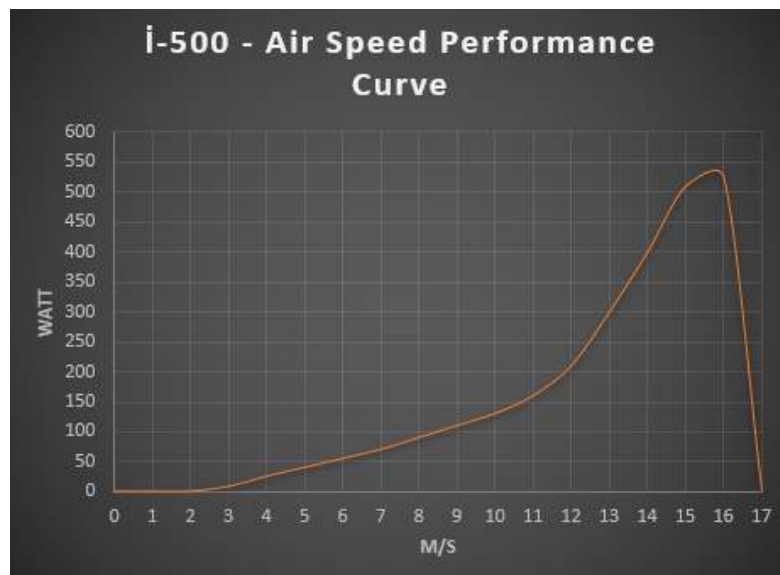
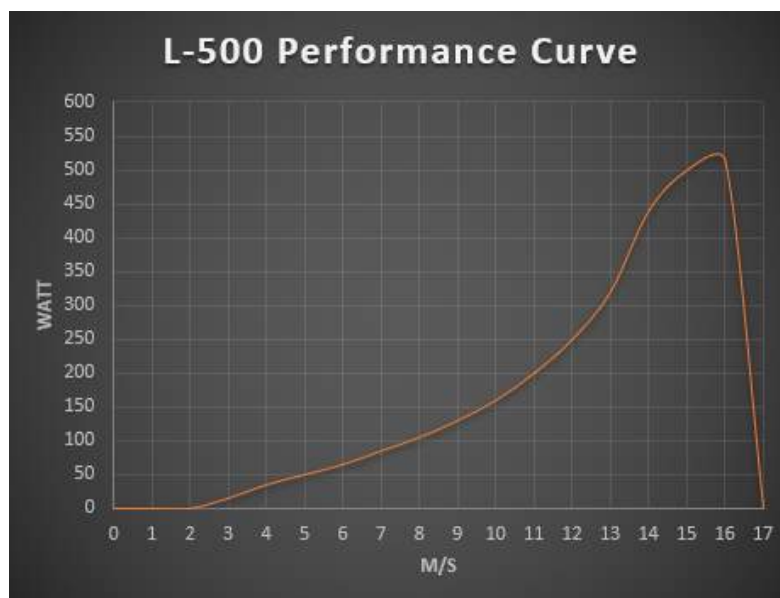
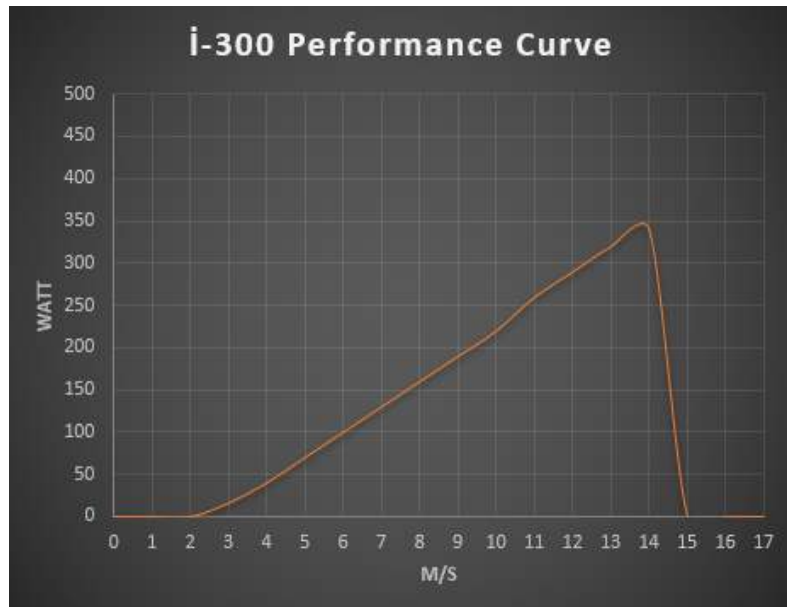
Wind turbine system	
Wiring, electrical components	Dispose of as electronic scrap
Mechanical components	Segregate prior to disposal

Table 13 Disposal

A		P	
Adapter stud	8	Place of use	12, 13
B		R	
Battery	7, 10, 11 20, 21	Rotor blade	8, 9, 15, 16, 19, 20, 22
C		S	
Cable cross-section	16, 20	Strain relief	17
Charge controller	7, 10, 11, 16, 18,20,21	T	
F		Tail vane	8
Foundation	14, 20	Transformer	16
L		W	
Load	10, 14, 21	Wind classes.....	13
M			
Main components.....	7, 8		

16

- Performance Charts -



United States of America
United States Patent and Trademark Office

ISTABREEZE

Reg. No. 5,046,708
Registered Sep. 20, 2016
Int. Cl.: 7, 9
Trademark
Principal Register


Altinelenerji Ltd. (TURKEY LIMITED LIABILITY COMPANY)
4 cad. kat3
Mermerciler San. Sit. Laleli is merkezi,
Istanbul-Beylikduzun TURKEY 34524

CLASS 7: Wind turbines, windmills, wind-powered electricity generators, propellers for wind-powered electricity generators
FIRST USE 4-11-2013; IN COMMERCE 4-11-2013

CLASS 9: Electrical transformers, current rectifiers, electrical controllers, wind turbine controllers
FIRST USE 4-11-2013; IN COMMERCE 4-11-2013


THE MARK CONSISTS OF STANDARD CHARACTERS WITHOUT CLAIM TO ANY PARTICULAR FONT STYLE, SIZE OR COLOR

SER. NO. 86-696,244, FILED 07-17-2015
KRISTIN M DAHLING, EXAMINING ATTORNEY



Michelle K. Lee
Director of the United States
Patent and Trademark Office

ZERTIFIKAT • CERTIFICATE • CERTIFICADO • CERTIFICAT

UNICERT 

**QUALITY MANAGEMENT SYSTEM
CERTIFICATE**

Universal GmbH
Certification Services

This certificate is granted to the organization,

**Altinel Enerji Dis Ticaret Elektrik Elektronik
San. Ve Tic. Ltd. Sti.**

Beylikduzu Osb. Mahallesi 7.Cadde No: 8/ 2 Beylikduzu/ Istanbul/ Turkey


by review of IA2.007835 numbered report for the scope


**Production and Sales of Wind Turbines, Solar
Panels, Controllers and Their Spare Parts**


to certify that a quality management system in accordance with
standard's clauses is established and being implemented

DIN EN ISO 9001:2015

Certificate No : QMS 0118 007835
Original Certification Date : 2018 - 01 - 17
Issue / Revised Date : 2018 - 01 - 17
Expiry Date : 2019 - 01 - 16
Certificate Period : 3 Years (1st Year)

 Deutsche
Akkreditierungsstelle
D-ZM-16058-01-00


Universal GmbH



The authenticity of this certificate can be confirmed online or by e-mail to the Head Office via:
UNIVERSAL GmbH • Wilfried-Dielmann-Str. 20b 44536 Lünen Germany • T : +49 (0) 231 9931 9960 • info@uni-cert.de • www.uni-cert.de

SAVE
ENERGY
SAVE
PLANET



Fast Trading LTD

Ul.Stancionna No. 64 Et.2 · BG-8500 Aytos / BULGARIA

+359 87 7819900

www.istabreeze.com

© ISTA Breeze – No part of this document may be copied or reproduced